



GLASS PASSIVATED SINGLE-PHASE BRIDGE RECTIFIER

W005G THRU W10G

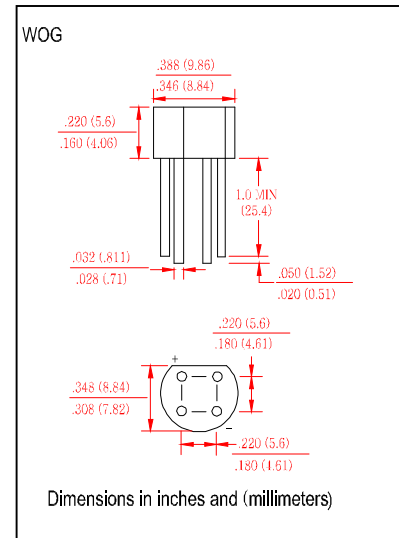
VOLTAGE RANGE **50 to 1000 Volts**
CURRENT **1.5 Amperes**

FEATURES

- Plastic package has underwriters laboratory
- Flammability classification 94V-0
- Glass passivated ship junction
- High case dielectric strength
- High surge current capability
- Ideal for printed circuit boards
- High temperature soldering guaranteed 260°C/10 seconds, 0.375" (9.5mm) lead length at 5 lbs (2.3kg) tension

MECHANICAL DATA

- Case: Epoxy, Molded Plastic body over passivated Junction
- Terminal: Plated leads solderable per MIL-STD-750 method 2026
- Mounting position: Any
- Weight: 0.04 ounce, 1.1 gram



MAXIMUM RATINGS AND ELECTRICAL CHARACTERISTICS

- Ratings at 25°C ambient temperature unless otherwise specified

| | SYMBOLS | W005G | W01G | W02G | W04G | W06G | W08G | W10G | UNIT |
|---|---------------------------|---------------|------|------|------|------|------|------|---------------------------|
| Maximum Repetitive Peak Reverse Voltage | V_{RRM} | 50 | 100 | 200 | 400 | 600 | 800 | 1000 | Volts |
| Maximum RMS Voltage | V_{RMS} | 35 | 70 | 140 | 280 | 420 | 560 | 700 | Volts |
| Maximum DC Blocking Voltage | V_{DC} | 50 | 100 | 200 | 400 | 600 | 800 | 1000 | Volts |
| Maximum Average Forward Rectified Output Current at $T_A=25^\circ\text{C}$ (Note 1) | $I_{(AV)}$ | 1.0 | | | | | | | Amps |
| Peak Forward Surge Current 8.3ms single half sine wave superimposed on rated load (JEDEC method) | I_{FSM} | 40 | | | | | | | Amps |
| Rating for Fusing ($t < 8.3\text{ms}$) | I^2t | 10 | | | | | | | A^2S |
| Maximum Instantaneous Forward Voltage Drop Per element at 1.0A DC | V_F | 1.0 | | | | | | | Volts |
| Maximum Average Reverse Current at rated DC Blocking Voltage | $T_A = 25^\circ\text{C}$ | 5.0 | | | | | | | μA |
| | $T_A = 125^\circ\text{C}$ | 500.0 | | | | | | | μA |
| Typical Junction Capacitance per leg at 4.0V, 1MHz | C_J | 14 | | | | | | | pF |
| Typical Thermal Resistance (NOTE 1) | $R_{\theta JL}$ | 14 | | | | | | | $^\circ\text{C}/\text{W}$ |
| | $R_{\theta JA}$ | 36 | | | | | | | |
| Operating Temperature Range | T_J | (-55 to +150) | | | | | | | $^\circ\text{C}$ |
| Storage Temperature Range | T_{STG} | (-55 to +150) | | | | | | | |

Notes:

1. Thermal resistance from junction to lead at 0.375"(9.5mm) lead length P.C.B. mounting.



GLASS PASSIVATED SINGLE-PHASE BRIDGE RECTIFIER

W005G THRU W10G

VOLTAGE RANGE 50 to 1000 Volts
CURRENT 1.5 Amperes

RATINGS AND CHARACTERISTICS CURVES W005G THRU W10G

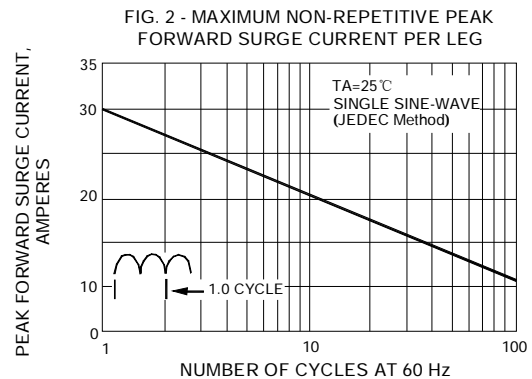
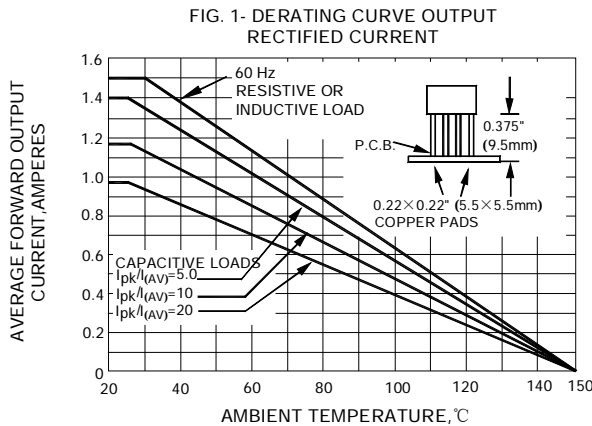


FIG. 3 - TYPICAL FORWARD CHARACTERISTICS PER LEG

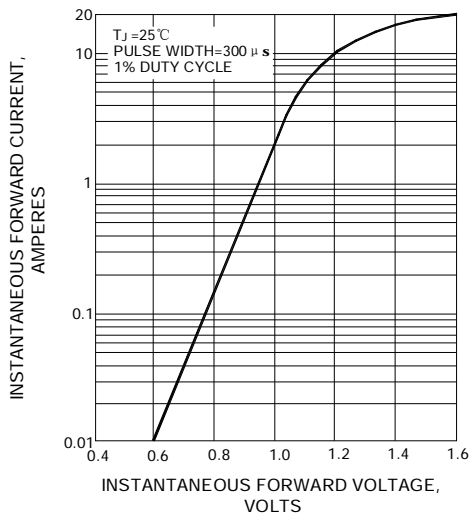


FIG. 4 - TYPICAL REVERSE CHARACTERISTICS PER LEG

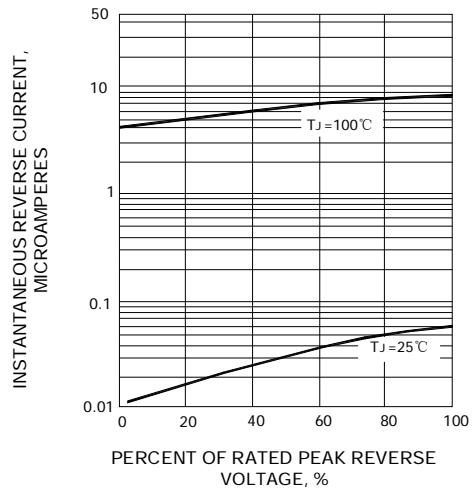


FIG. 5 - TYPICAL JUNCTION CAPACITANCE PER LEG

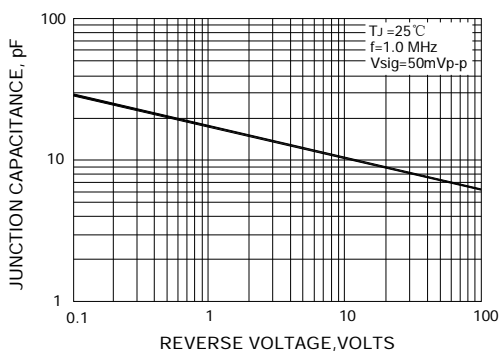


FIG. 6 - TYPICAL TRANSIENT THERMAL IMPEDANCE

